

Urban Construction Pioneer

SUNWARD

SWE80E9

◆ Operating weight: 7.68t ◆ Engine power: 46.3kW/2200rpm ◆ Bucket capacity: 0.3m³



- A new generation of electrical control+ LS system, with multiple operation modes available, to achieve a perfect combination of high efficiency and energy saving.
- Reinforced chassis and platform and large-chamber working device to provide higher reliability to easily deal with various working conditions.
- Higher pressure and higher power in similar products to bring stronger operating capacity.
- Largest working range in similar products to provide a large working area and achieve higher operating efficiency.
- Exclusive standard crushing system and pipelines.
- Centralized maintenance and lubricating on the ground.



SWE80E9

Main Technical Parameters

Features and specifications

Specifications

Operating weight	t	7.68
Bucket capacity	m ³	0.3

Engine

Brand	Yanmar	
Model	4TNV98-ZCSSUC	
Type	Four-cylinder, four-stroke, water-cooled	
Power	kW/rpm	46.3/2200
Displacement	L	3.319

Hydraulic System

Type of main pump	variable displacement piston pumps×1	
Maximum flow of main pump	L/min	167
System pressure	MPa	28
Type of pilot pump	gear pump×1	
Maximum flow of pilot	L/min	12.6

Performance

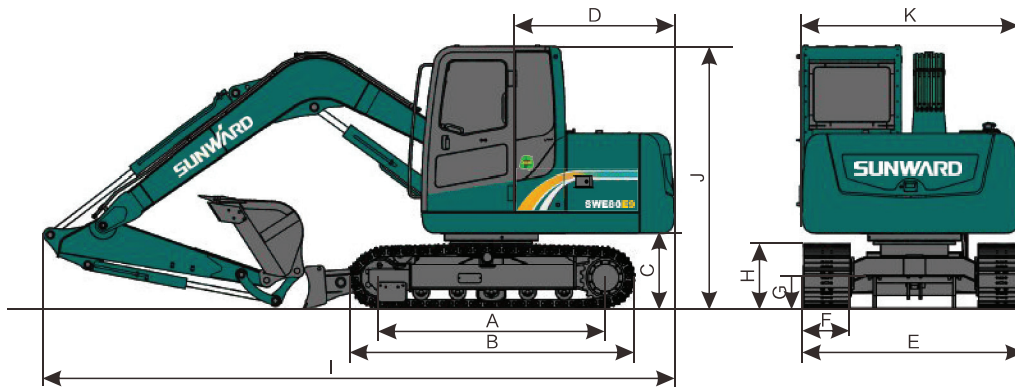
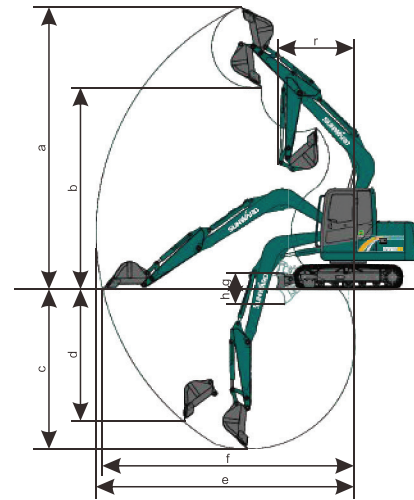
Rotating speed	rpm	11
Traceling speed	km/h	4.2/2.2
Gradeability	°	35
Track width	mm	450
Ground pressure	kPa	33.33

Tank Volume

Fuel tank volume	L	145
Hydraulic liquid tank volume	L	90

Working range and digging capacity

a	Max. digging height	mm	7280
b	Max. unloading height	mm	5240
c	Max. digging depth	mm	4000
d	Max. vertical digging depth	mm	3290
e	Max. digging radius	mm	6440
f	Max. digging reach at ground level	mm	6265
g	Max. lift height of the dozer blade	mm	395
h	Max. digging depth of the dozer blade	mm	410
r	Min. front swing radius	mm	1800
Dozer blade (L×W)		mm	2270×415
Digging force of bucket		kN	54
Digging force of arm		kN	37



Dimensions

Overall dimensions (L×W×H)	mm	6140×2270×2653	F	Track width	mm	450	
A	Wheel tread	mm	2270	G	Chassis ground clearance	mm	400
B	Total track length	mm	2900	H	Track height	mm	690
C	Ground clearance of platform	mm	800	I	Overall length	mm	6140
D	Platform tail slewing radius	mm	1800	J	Overall height	mm	2653
E	Chassis width	mm	2270	K	Overall width	mm	2270

★ The above parameters may change due to product update



PT. SICOMA INDO PERKASA

Ruko THE ICON H/5 Jl.Raya Cisauk-Lapan BSD Tangerang 15343

Tlp:021-22232607 Email:info@sicoma.co.id

@sicomaindonesia

SUNWARD