

# Mining Warriors

## SWE365E

◆ Operating weight: 35.8t ◆ Engine power: 190.5kW/2000rpm ◆ Bucket capacity: 1.6m<sup>3</sup>



- Heavy-duty driving wheel, guide wheel, track roller, supporting roller and track. The slewing bearing support ring, made of one-piece ring-type forgings, is reliable and durable.
- Super-strong mining equipment with "hyperbolic" wear-resistant bucket, significantly reducing digging resistance and improving efficiency.
- Reinforced platform structure with the overall strength increased by 32%, which is sturdy and durable.
- A variety of working equipment are optional.



# SWE365E

# Main Technical Parameters

## Features and specifications

### Specifications

Operating weight	t	35.8
Bucket capacity	m <sup>3</sup>	1.6

### Engine

Brand	ISUZU	
Model	AA-6HK1XQP	
Type	Four-stroke, turbocharger, intercooled, direct injection	
Power	kW/rpm	190.5/2000

### Hydraulic System

Type of main pump	2 variable displacement piston pumps	
Maximum flow of main pump	L/min	2×324
System pressure	MPa	34.3
Type of pilot pump	1 gear pump	
Maximum flow of pilot pump	L/min	30
Pressure of pilot pump	MPa	3.9

### Performance

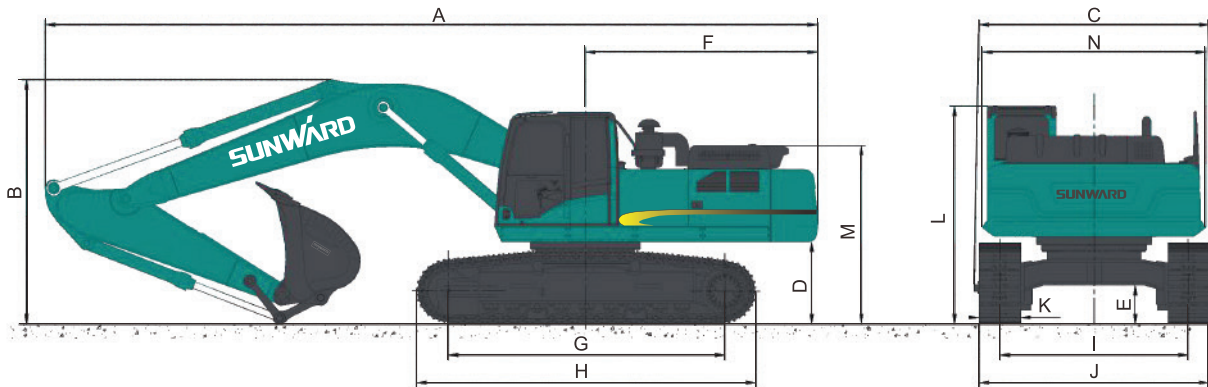
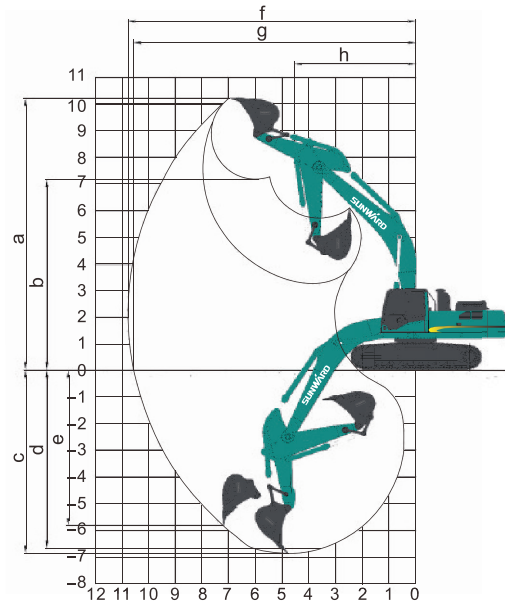
Rotating speed	rpm	9.1
Traceling speed	km/h	5.8/3.6
Gradeability	°	35
Track width	mm	600
Ground pressure	kPa	63.6

### Tank Volume

Fuel tank volume	L	650
Hydraulic liquid tank volume	L	320

## Working range and digging capacity

a	Max. digging height	mm	10525
b	Max. unloading height	mm	7450
c	Max. digging depth	mm	7455
d	Digging depth (2.44m horizontal)	mm	7280
e	Max. vertical digging depth	mm	6920
f	Max. digging distance	mm	11330
g	Max. digging reach at ground level	mm	11130
h	Min. front swing radius	mm	4425
Digging force of bucket (ISO supercharging)		kN	250
Digging force of arm (ISO supercharging)		kN	168



## Dimensions

Boom length	mm	6500	G	Ground contact length of track	mm	4030
Arm length	mm	2900	H	Track length	mm	4945
A Overall length	mm	11100	I	Track gauge	mm	2590
B Overall height	mm	3400	J	Track width	mm	3190
C Overall width	mm	3190	K	Width of track link	mm	600
D Ground clearance of counterweight	mm	1200	L	Cab height	mm	3080
E Minimum ground clearance	mm	537	M	Height of machine hood	mm	2675
F Tail swing radius	mm	3300	N	Width of turntable	mm	2960

★ The above parameters may change due to product update



**PT. SICOMA INDO PERKASA**

Ruko THE ICON H/5 Jl. Raya Cisauk-Lapan BSD Tangerang 15343

Tlp: 021-22232607 Email: info@sicoma.co.id

@sicomaindonesia

**SUNWARD**