

SUNWARD

Earthwork Expert

SWE210

◆ Operating weight: 21.3t ◆ Engine power: 110kW/2100rpm ◆ Bucket capacity: 1m³



- Self-developed ELAC load adaptive control technology to ensure the best power and fuel economy.
- With patented slewing flow self-adaption technology, the energy lost in the slewing is reduced.
- Dual curved buckets, with the loading capacity per each cycle increased by 10%.



SWE210

Main Technical Parameters

Features and specifications

Specifications

Operating weight	t	21.3
Bucket capacity	m ³	1.0

Engine

Brand	ISUZU	
Model	6BGITRP-03	
Type	6-cylinder, 4-stroke, water-cooled	
Power	kW/rpm	110/2100
Maximum torque	N·m/rpm	658/1200
Displacement	L	6.494

Hydraulic System

Type of main pump	2 variable displacement piston pumps	
Maximum flow of main pump	L/min	2×234
System pressure	MPa	32.4/34.3
Type of pilot pump	1 gear pump	
Maximum flow of pilot pump	L/min	21
Pressure of pilot pump	MPa	3.9

Performance

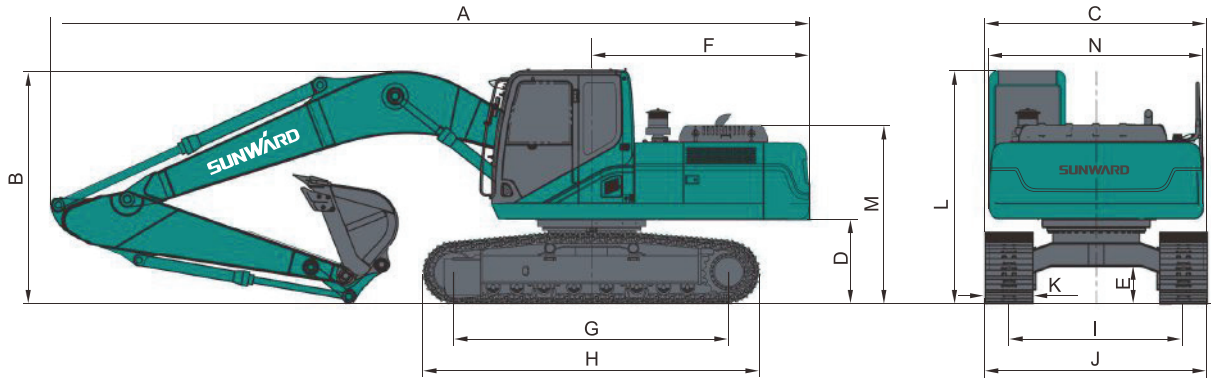
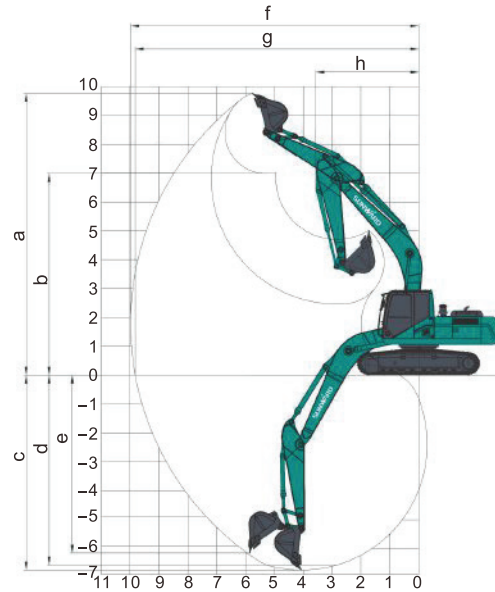
Rotating speed	rpm	11.8
Traceling speed	km/h	4.9/3.1
Gradeability	°	35
Track width	mm	600
Ground pressure	kPa	43.2

Tank Volume

Fuel tank volume	L	370
Hydraulic liquid tank volume	L	250

Working range and digging capacity

a	Max. digging height	mm	9750
b	Max. unloading height	mm	6980
c	Max. digging depth	mm	6750
d	Digging depth (2.44m horizontal)	mm	6560
e	Max. vertical digging depth	mm	5900
f	Max. digging distance	mm	9940
g	Max. digging reach at ground level	mm	9775
h	Min. front swing radius	mm	3560
Digging force of bucket (ISO supercharging)		kN	155
Digging force of arm (ISO supercharging)		kN	110



Dimensions

Boom length	mm	5700	G	Ground contact length of track	mm	3465
Arm length	mm	2920	H	Track length	mm	4260
A Overall length	mm	9570	I	Track gauge	mm	2390
B Overall height	mm	2945	J	Track width	mm	2990
C Overall width	mm	2990	K	Width of track link	mm	600
D Ground clearance of counterweight	mm	1060	L	Cab height	mm	2945
E Minimum ground clearance	mm	478	M	Height of machine hood	mm	2250
F Tail swing radius	mm	2750	N	Width of turntable	mm	2830

★ The above parameters may change due to product update



PT. SICOMA INDO PERKASA

Ruko THE ICON H/5 Jl. Raya Cisauk-Lapan BSD Tangerang 15343

Tlp: 021-22232607 Email: info@sicoma.co.id

@sicomaindonesia

SUNWARD